

**RoHS Compliant**

\*Due To Technical Progress, All The Information Provided Is Subject To Change Without Prior Notice.

Rev No A/0	Revision note NEW DRAWING	Date DEC. 07. 2020	Signature	Checked
---------------	------------------------------	-----------------------	-----------	---------

**Electrical:**

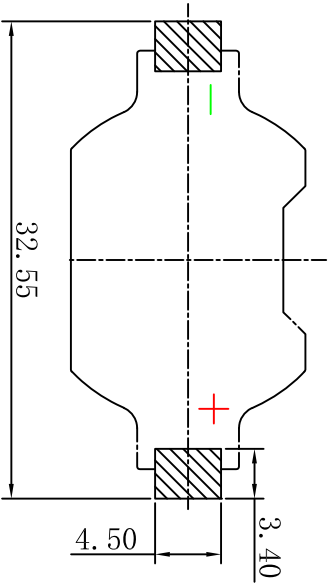
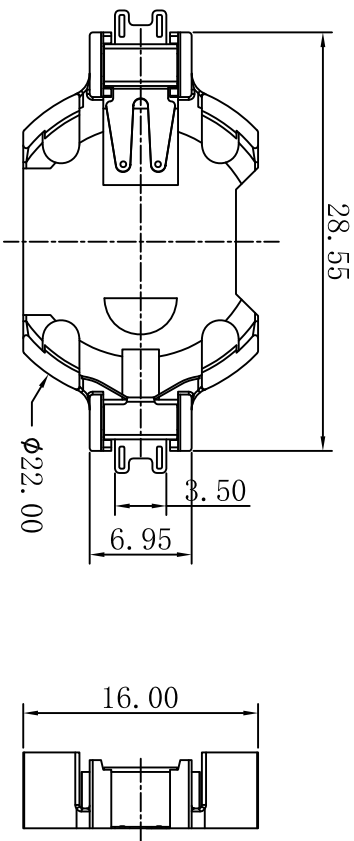
Contact Resistance: 30mΩ Max.  
 Insulation Resistance: 1000MΩ Min.  
 Withstand Voltage: 500V AC for 1 Min.

**Mechanical:**

Contact Material: Phosphor Bronze.  
 Contact Plating: Au or Sn Over Ni.  
 Insulator Material: Polyester (UL94V-0).  
 Standard: LCP (White).

**Environmental:**

Operation Temperatures: -25°C to +85°C.  
 Max. Processing Temperature: +230°C for 30-60seconds  
 +260°C for 10seconds



**Ordering Code:**  
 7406-2032M XX X X 02

<b>Contact Plating</b> G0=Gold Flash G1=3u" Gold G2=5u" Gold S0=Gold/Flash/Tin S1=3u" Gold/Tin S2=5u" Gold/Tin SN=Tin NT=Nickel	<b>Insulator Material</b> A=BK-PBT B=BK-PA66 C=BN-PPA D=BK-PPA E=BN-PPS F=BK-PPS G=WH-LCP H=BK-LCP	<b>Packing</b> A=Tray B=Box R=Tape&Reel
---	--	--

THIS DRAWING IS A CONTROLLED DOCUMENT DIMENSIONS INCHES TOLERANCES UNLESS OTHERWISE SPECIFIED 0 P.L.C $\pm$ 0.30 1 P.L.C $\pm$ 0.25 2 P.L.C $\pm$ 0.20 3 P.L.C $\pm$ 0.10 4 P.L.C $\pm$ 3°		DATE DEC. 07. 2020 DATE DEC. 07. 2020 DATE DEC. 07. 2020	DRAWING NO. 7406-2032MXXXX02
A/D/T/COTZ/BS/2032	FILE PATH A/D/T/COTZ/BS/2032	SHEET 1 OF 1	REV A

**YTCO TECHNOLOGY**  
 HTTP://WWW.YTCO.CO

CR2032-6-2/SMT

7406-2032MXXXX02

7406-2032

A4