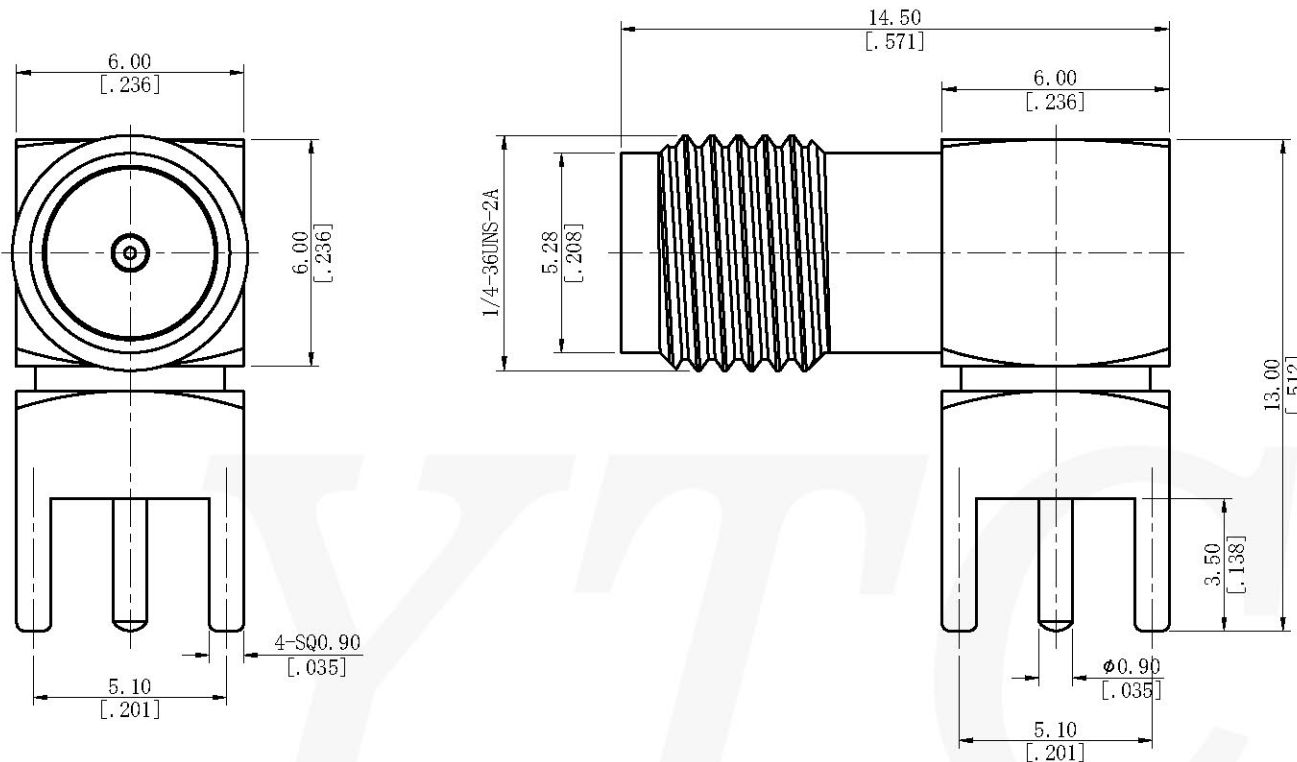


REV	REVISION	NAME	DATE

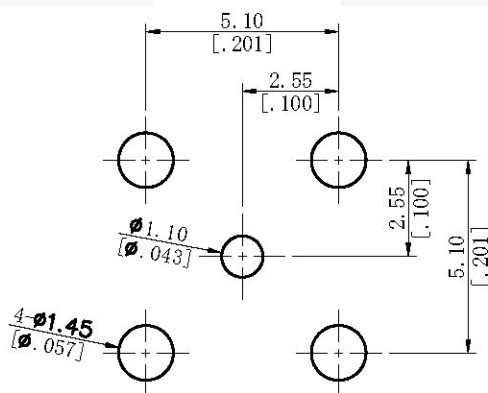


TECHNICAL SPECS:

VSWR:1.5 Max
 Impedance:50 Ohm
 Frequency Range: 0~6 GHz
 Insulation Resistance:5000 Ohm Min
 Working Voltage:275V RMS at Sea Level
 Dielectric Withstanding Voltage: 1000V RMS
 Center Contact Resistance:6.0 mOhm Max
 Outer Contact Resistance:2.0 mOhm Max
 Operation Temperature:-55°C~+155°C

Material

Body:Brass, Gold Plated
 Contact:Brass, Gold Plated
 Insulator:Teflon, White



THIS DRAWING IS A CONTROLLED DOCUMENT

TOLERANCES UNLESS OTHERWISE SPECIFIED	UNITS mm/inch	SCALE FIT	SIZE A4
0 PLC ± —	Drawn By <i>Xu</i>	DATE 7/30/2022	TITLE SMA ELBOW PCB SOCKET
1 PLC ± 0.30/.012	ENGINEER <i>Zhang</i>	DATE 7/30/2022	L=14.5MM
2 PLC ± 0.25/.010	CHECKED BY <i>Mike</i>	DATE 7/30/2022	PART NO. RF03-101S01
3 PLC ± 0.20/.008	APPROVED BY <i>Andy</i>	DATE 7/30/2022	DRAWING NO. RF03
4 PLC ± 0.10/.004	PROJ.	DRAWING CODE 594309442	FILE PATH A/D/YTCOTZ/RF CONNECTOR/SMA
ANGLES ± 3°			SHEET 1 OF 1

YTCO TECHNOLOGY
 HTTP://WWW.YTCO.CO E-MAIL:SALES@YTCO.CO